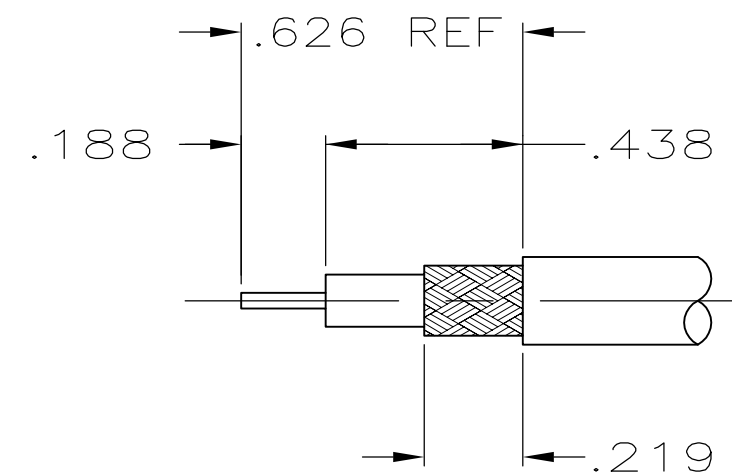
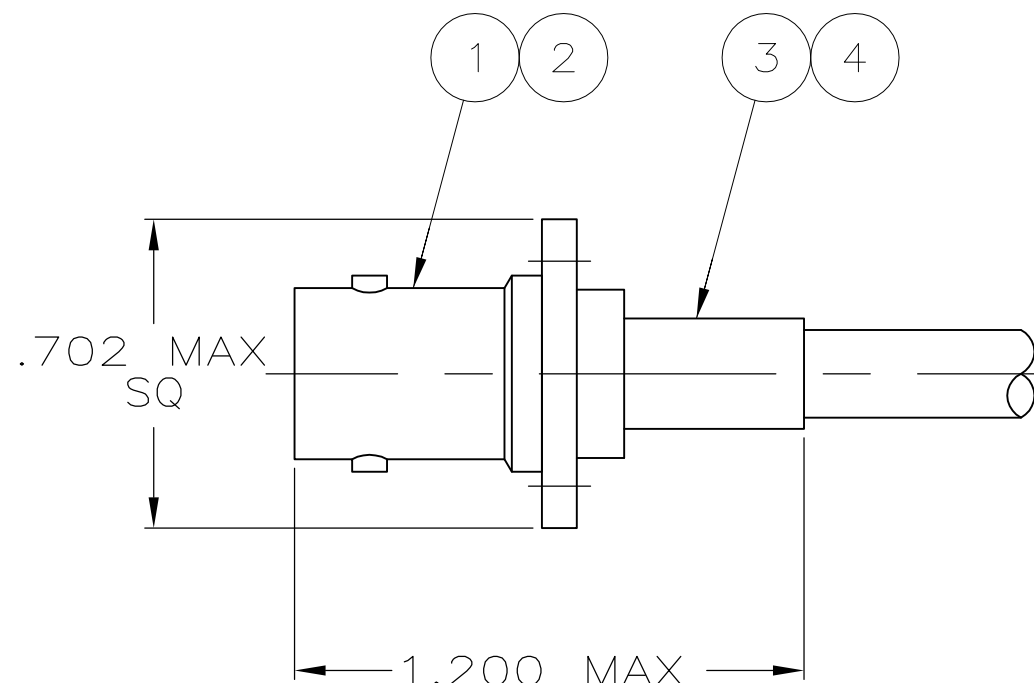
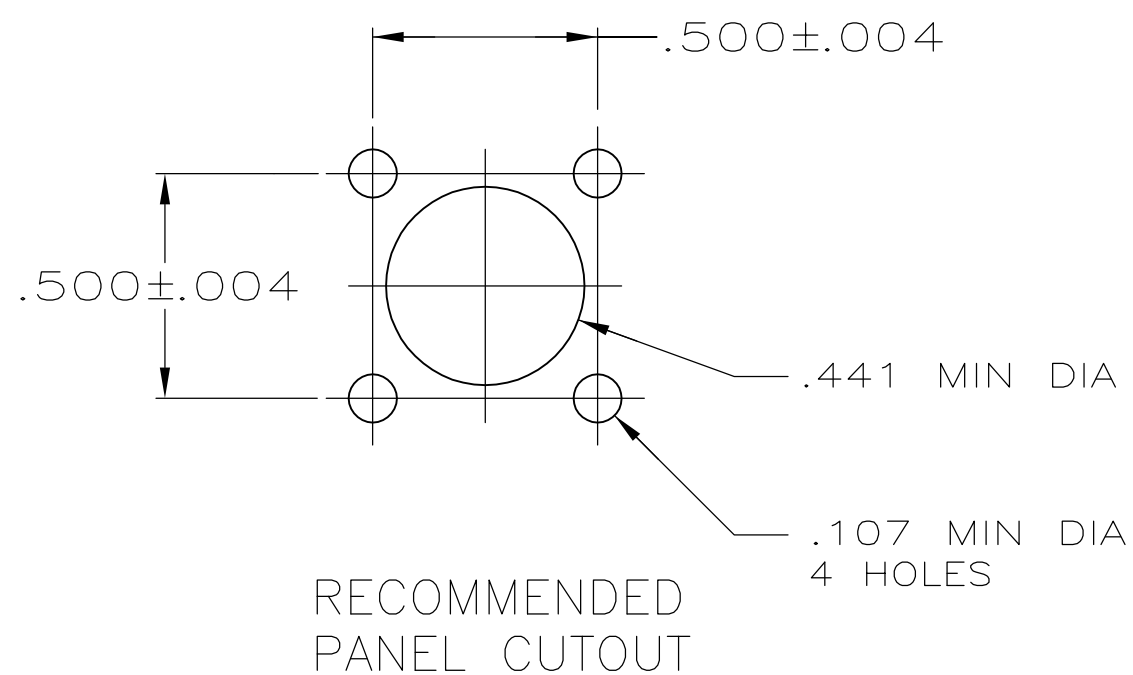


THIS DRAWING IS UNPUBLISHED. RELEASED FOR PUBLICATION
 © COPYRIGHT - By - ALL RIGHTS RESERVED.

LOC	DIST	REVISIONS			
P	LTR	DESCRIPTION	DATE	DWN	APVD
AJ	00	S	REVISED PER ECO-14-016559	03NOV2014	G.G M.Y



RECOMMENDED STRIP LENGTH

1 SEE I.S. 1914-4

2 OBSOLETE PARTS: OBSOLETE CIS STREAMLINING PER D.RENAUD/D.SINISI

SUPERSEDED	RG-58/U,58A/U,58B/U & 58C/U	69478-1	.391 OZ	—————	9-50427-1	1-331369-6	1-331791-2	9-225397-0
SUPERSEDED	RD-188/U, 316/U	220009-1	-	21427-2	9-329049-0	1-331368-2	1-331791-4	1-225397-4
	RG-174/U & 188/U	220009-1	-	21427-2	9-328666-0	1-331368-2	1-331791-5	1-225397-3
OBSOLETE	AMPHENOL 21-597	69477-2	.023565 LB	—————	9-329461-0	1-331368-2	1-331791-4	1-225397-0
OBSOLETE	RG-179/U & 187/U	220009-1	.023601 LB	21427-2	9-328666-0	1-331368-4	1-331791-4	225397-8
	RG0174/U, 188/U, 316/U	220009-1	.023583 LB	21427-2	9-328666-0	1-331368-2	1-331791-4	225397-7
OBSOLETE	RG-55/U,55A/U,55B/U & 223/U	69478-1	.023869 LB	—————	9-329099-0	1-331369-6	1-331791-2	225397-3
2 SUPERSEDED	RG-59B/U & 62B/U	69477-1	.024369 LB	—————	9-50428-0	2-331368-3	1-331791-3	225397-2
	RG-58/U,58A/U,58B/U & 58C/U	69478-1	.391 OZ	—————	9-50427-1	1-331369-6	1-331791-2	225397-1
	FOR USE WITH CABLE:	CRIMPING TOOL	WEIGHT	4 BUSHING QTY=1	3 FERRULE QTY=1	2 CONTACT QTY=1	1 JACK ASSY, PANEL QTY=1	PART NO

THIS DRAWING IS A CONTROLLED DOCUMENT.

DWN	J. L. GROFT	4-25-90
CHK	R. E. RUTH	5/25/90
APVD		
PRODUCT SPEC		
APPLICATION SPEC		
WEIGHT		
CUSTOMER DRAWING		

DIMENSIONS: INCHES

TOLERANCES UNLESS OTHERWISE SPECIFIED:

0 PLC	±	-
1 PLC	±	-
2 PLC	±	-
3 PLC	±	.016
4 PLC	±	-
ANGLES		±

MATERIAL: - FINISH: -

STE TE Connectivity

JACK, PANEL, DUAL CRIMP, BNC

SIZE	A2	CAGE CODE	00779	DRAWING NO	G=225397	RESTRICTED TO	-
SCALE	NTS	SHEET	1 of 1	REV	S		